

A

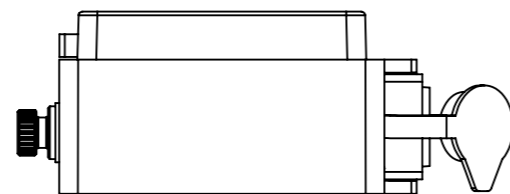
B

C

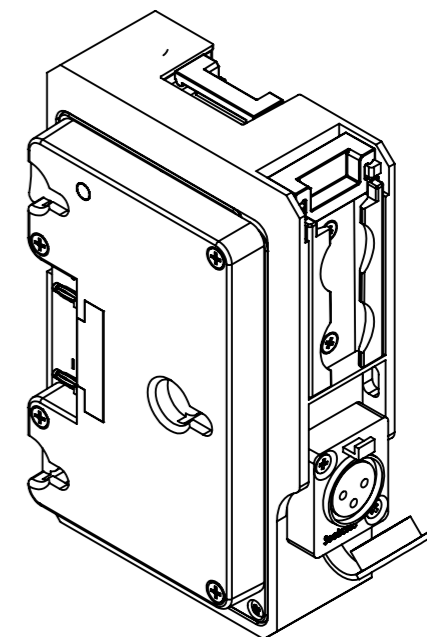
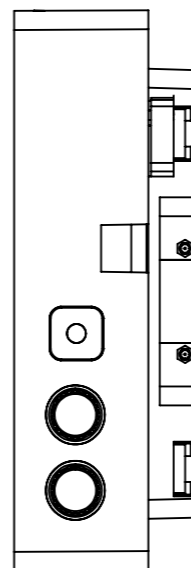
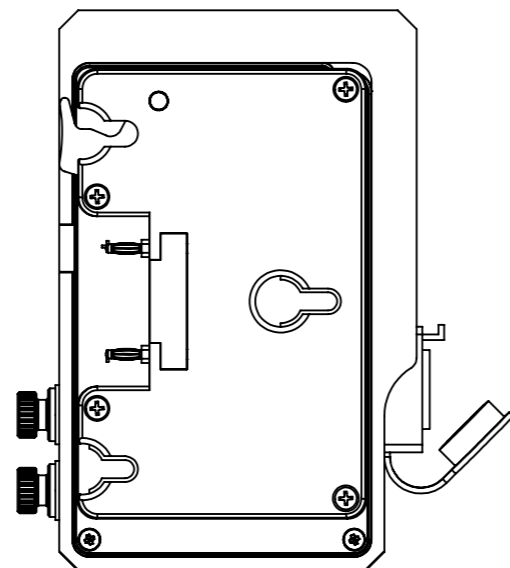
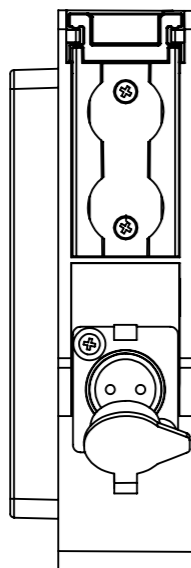
D

Rev	CHANGE DESCRIPTION	SIGN	DATE

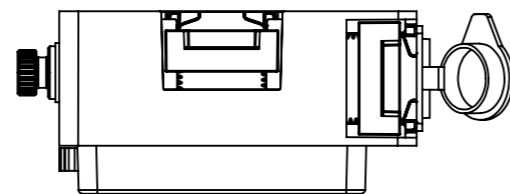
1



2



3



4

 Aster LED Technology GmbH Web: www.astera-led.com ©Copyright Aster LED Technology GmbH. All rights reserved <i>This document and the information contained within it are provided in confidence for the sole purpose of manufacturing of articles for Aster LED Technology GmbH, and may not be disclosed to any third party or used for any other purpose without the express written permission of Aster LED Technology GmbH.</i>	DO NOT SCALE DRAWING, IF IN DOUBT ASK. ALL DIMENSIONS IN mm	SCALE : 1:2 UNIT: mm	DESIGNED BY 制图 Henry Luo	DATE 日期 2022/8/3	DESCRIPTION 描述	MATERIAL 材质	REV 版本
	THIS COMPONENT MUST BE ROHS COMPLIANT	1ST ANGLE PROJECTION 	CHECKED BY 审核	DATE 日期	DRAWING NUMBER 料号	COLOR 颜色	SHEET SIZE 图纸规格 A3
			APPROVED BY 批准	DATE 日期	PROJECT CODE 项目	FINISH 后处理	PAGE 页码 1/1

A

B

C

D