



# Datasheet

# LunaBulb Preplnlay Kit



Kit of 8 LunaBulbs stored in the Preplnlay and is made for you to make your own cases or flightcases after your own need. The Preplnlay has a built-in battery which will make prepping easy no matter when and where you need to set up and configure your LunaBulbs for a job.

## SPECIFICATIONS

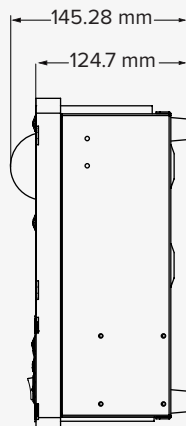
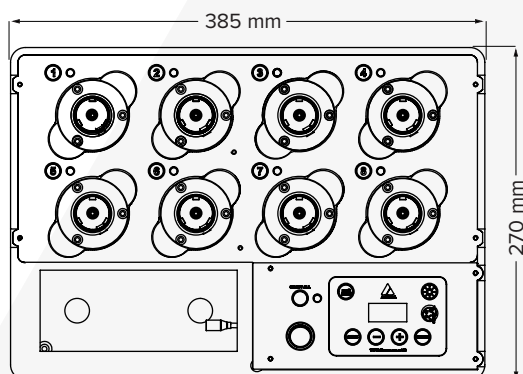
Order Code	FP7-PRPINL-KIT-E26	FP7-PRPINL-KIT-E27	FP7-PRPINL-KIT-B22
Battery Runtime	2h		
Runtime	70 % after 300 cycles		
Charging Time (nominal)	2 h 50 min		
AC Input (via FP1-CHR)	100 - 240 VAC, 50/60 Hertz, 1.8 A		
DC Input	2 A / 24 VDC; 48 W		
DC Connector	5.5 mm / 2.1 mm		
Power Consumption (max.)	37 W		
BluetoothBridge BTB	Built-in		
Wireless Protocols	UHF, Bluetooth, WiFi		
Wireless Range	UHF up to 300 m / 330 yds; Bluetooth up to 3 m / 3.3 yds		
Material	Polymer & Metal		
IP Rating	IP 20		
Ambient Operating Temperature	0 - 40 °C / 32 - 104 °F		
Weight (empty)	2.92 kg / 6.44 lbs		
Weight full (8x FP7 and 1x FP1-CHR)	3.87 kg / 8.53 lbs		
Dimensions (L x W x D)	385 mm x 270 mm x 124.7 mm / 15.16" x 10.63" x 4.91"		

## CONTENT

8x LunaBulb (FP7)
1x LunaBulb Preplnlay (FP7-PRPINL)
1x Power Supply for Helios / Titan Tube (FP1-CHR)

## DRAWINGS

without Bulbs



with Bulbs

