



Datasheet

LunaShade with Blocker

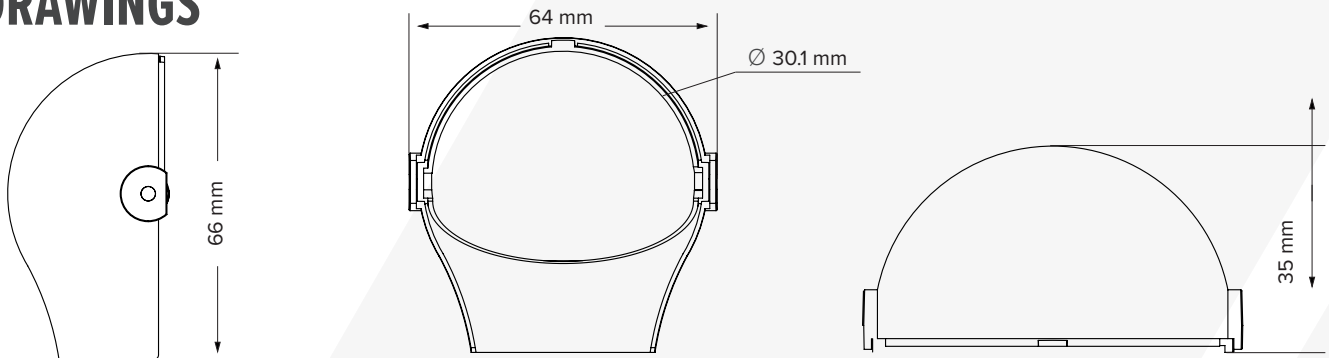


Designed to control the beam in your practicals, the LunaShade with Blocker is James Friend's innovative solution to block LunaBulb's incidence on actors, props or walls, while keeping the organic mood of traditional lamps. Easy to mount, rotate and reuse, it avoids the need of tape or wrap.

SPECIFICATIONS

| | |
|------------------------|---|
| Order Code | FP7-LSBL |
| Material | Plastic |
| Weight | 12 g / 0.03 lbs |
| Dimensions (L x W x D) | 66 mm x 64 mm x 34 mm / 2.60" x 2.52" x 1.34" |

DRAWINGS



MAXIMIZE YOUR CHOICES

