



DATASHEET

POWERSTATION | HANGER

Compatible with:
FP5-PS PowerStation

Date: 01/28/21 Version: 1.0



For suspending NYX Bulb PowerStation. Can be attached to PowerStation's airline track via a single-stud fitting.

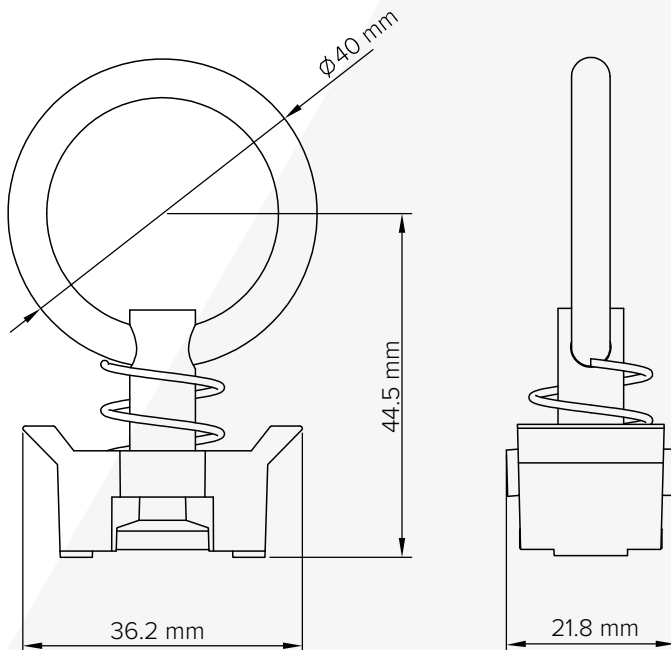
PowerStation Hanger mounted on PowerStation



SPECIFICATIONS

Order Code	FP5-PSH
Dimensions (mm/inch)	Ø40 x 36.2 x 21.8 / Ø1.6 x 1.4 x 0.9
Weight (kg/lbs)	0.07 / 0.15
Material	Steel

DRAWINGS



USE CASES

NYX + PowerStation hanging with Hanger

