



Datasheet

AX5 TRIPLE PAR



Optimized for a fast return of investment, this stage lighting fixture replaces your wireless and wired PARs as well as battery uplight. It's the ultimate tool for entertainment professionals.

SPECIFICATIONS



Max 20h



Wireless DMX



IP65



App

Order Code	AX5
Colors	RGBAW
Total LED Power	45 W
LED Power Draw	tba
Light output – 2700K, 3200K, 5500K*	tba
Emittance @2m – 3200K*	4800 lx
CRI(Ra)/TLCI 3200-6500k*	≥96
Beam Angle	13°
Strobe	0 - 25Hz
Pixel	1
Battery Lifetime	70 % after 300 cycles
Battery Runtime	up to 20 hours
Charging Time (nominal)	5 hours
AC Input	100-240 VAC, 50/60Hz, tba
Wired DMX	Yes
CRMX Receiver	Built in
Wireless Frequencies	CRMX 2.4GHz, UHF
Range	300 m / 330yds (3 m /3,3 yds Bluetooth)
Housing Material	Aluminium
IP Rating	IP65
Ambient Temperature	0°-40° C / 32°-104° F
Weight	3.4 kg / 7.5 lbs
Dimensions	145x190x221 mm / 5.7x7.5x8.7 in

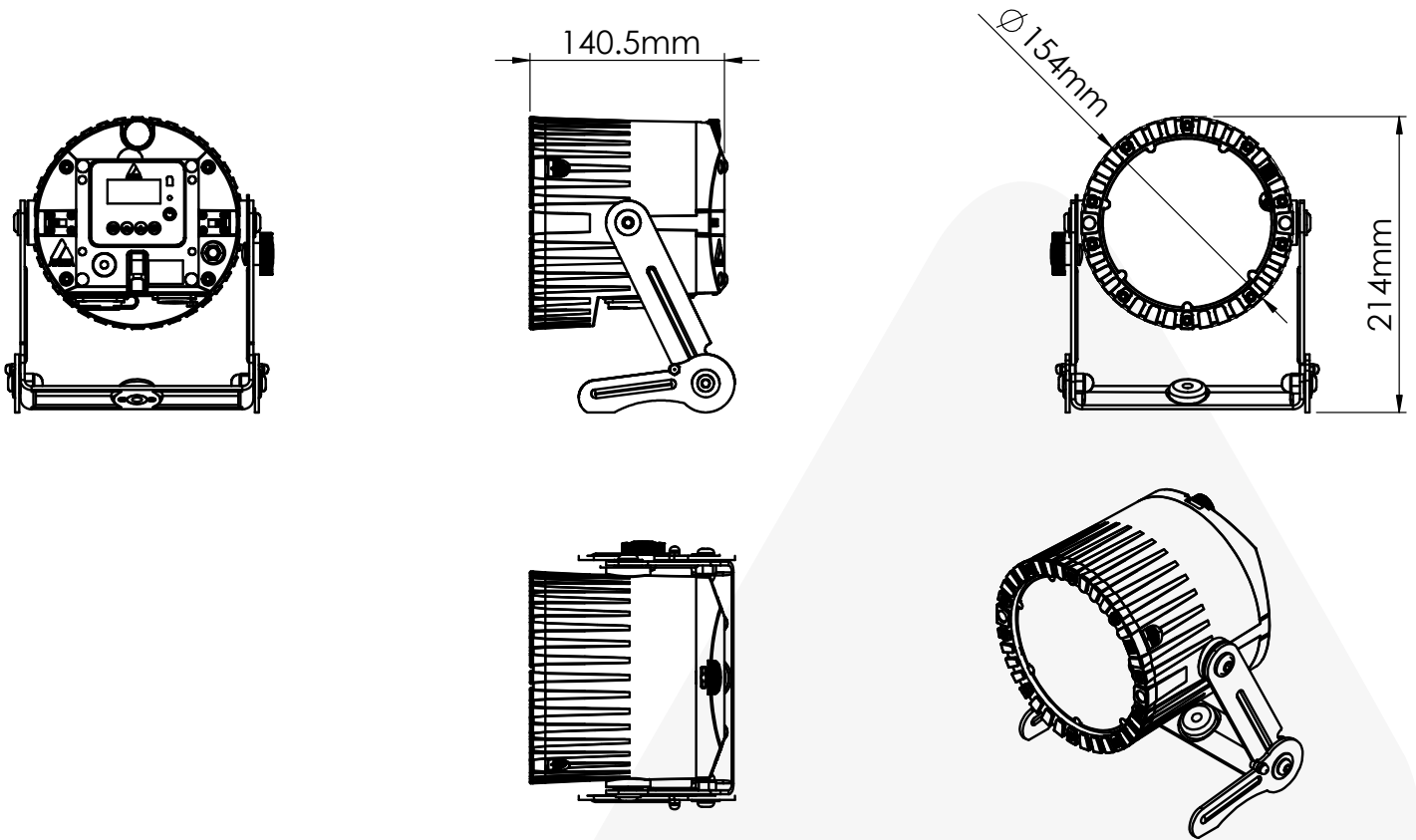
*Typical value

RF CHARACTERISTICS

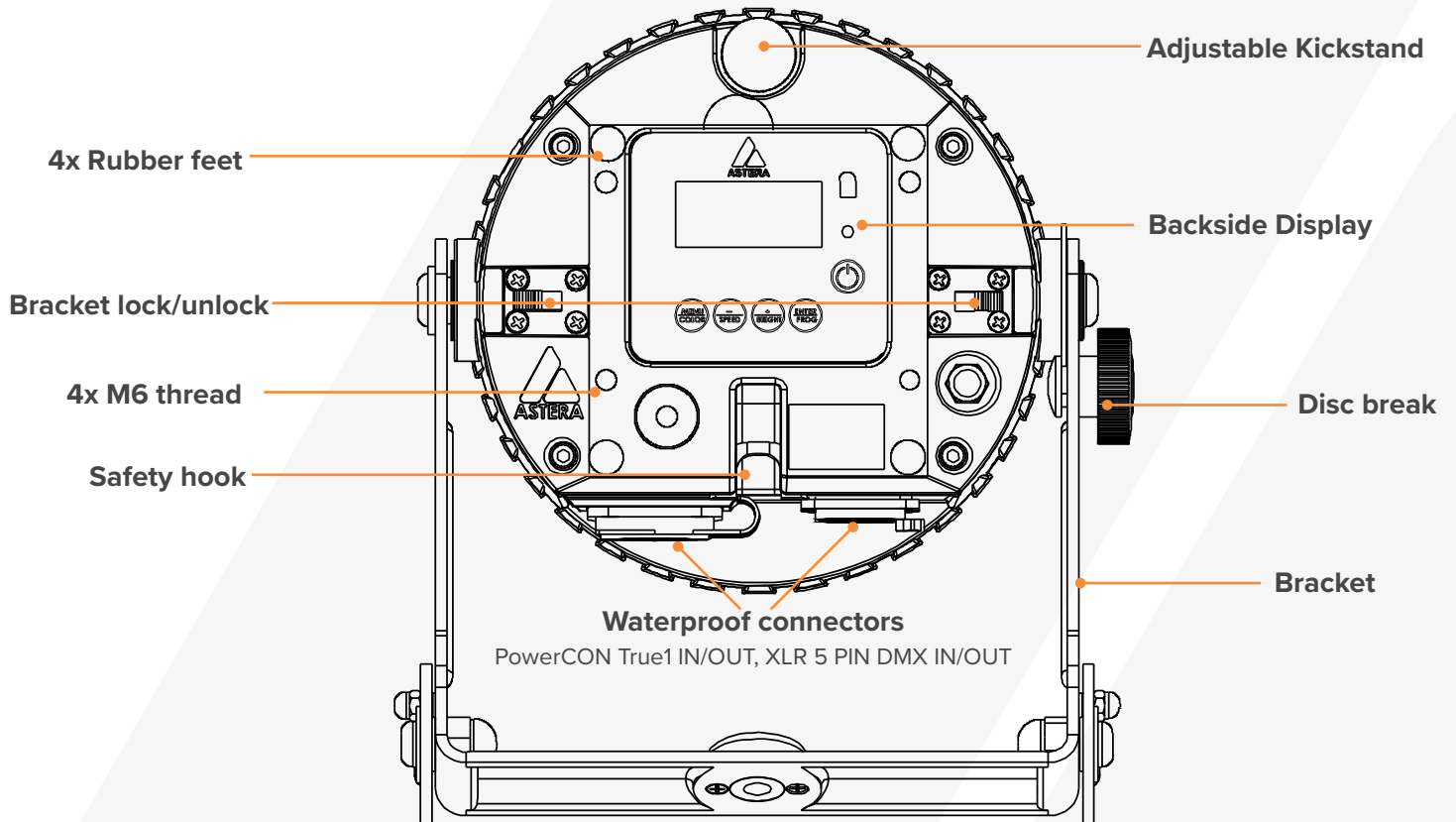
Wireless Modules	EU: UHF (863-870MHz)	USA: UHF (917-922.20MHz)	AUS: UHF (922.30-927.50MHz)	SGP: UHF (920.50-924.50MHz)
Modulation	FHSS	FHSS	FHSS	FHSS
ERP (Transmitter)	<25mW	<25mW	<25mW	<25mW
Channel Count	47	53	53	41

Wireless Modules	KOR: UHF (917.9-921.5MHz)	RUS: UHF (868.75-869.12MHz)	JPN: UHF (922.80-926.40MHz)	CRMX (2402-2480MHz)
Modulation	FHSS	FHSS	FHSS	FHSS
ERP (Transmitter)	<25mW	<25mW	<25mW	-
Channel Count	10	6	19	79

DRAWINGS



BACKSIDE AND BRACKET



ACCESSORIES

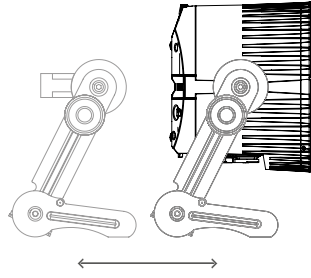
AX5 Bracket AX5-STA



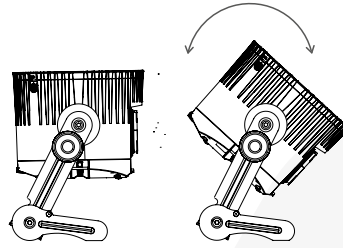
included

Dimensions (mm/inch):
200 x 222 / 7.9 x 8.7
Weight (g/lbs):
808g / 1.8 lbs

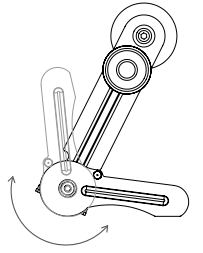
Removeable



Tiltable

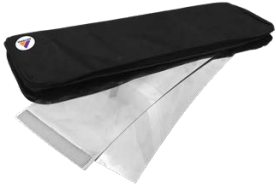


Foldable



Set of 8 FlexCovers Mirror or White

AX5-FLXCVR-MIR-8 / -WT-8



Dimensions (mm/inch):
560 x 180 / 22 x 7.1

AX5 wrapped with FlexCover



Snoot AX5-SN



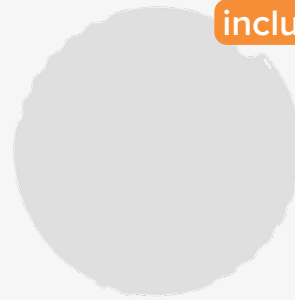
Dimensions:
Ø125x82 mm / Ø5x3.2 in
Weight:
0.21 kg / 0.47 lbs

Snoot on AX5 TriplePar



Filters

included



FloodFilter 32°
AX5-FF

included



WallwashFilter 17°x46°
AX5-WWF

BabyPin FP1-BLT

