



SolaBulb is a rainproof, zoomable Fresnel-based spotlight bulb that works on DC and AC current, with a detachable snoot and full compatibility with Astera's PowerStation.



Wireless DMX



IP44



App

## SPECIFICATIONS

Order Code	AST-BLBSL-E27 / -E26 / -B22
LED Engine	Titan LED Engine
Colors	RGBMintAmber
LED Power Draw	15 W
Incandescent Equivalent	50 W PAR Bulb
Luminous Flux 2700 K	279 Lumens
Luminous Flux 3200 K	353 Lumens
Luminous Flux 4000 K	347 Lumens
Luminous Flux 5500 K	394 Lumens
Luminous Flux 6500 K	376 Lumens
Light Output 5500 K 15° @ 1m	5 228 Lux
Light Output 5500 K 30° @ 1m	1 652 Lux
Light Output 5500 K 50° @ 1m	615 Lux
CRI (Ra)/ TLCI 3200- 6500 K	≥96
Beam Angle	15° - 50°
Field Angle (max.)	23° - 73°
Strobe	0 - 25 Hertz
DC Input	9 - 18 VDC - 2.1A MAX
DC Connector	3.5 mm x 1.35 mm
AC Input E26 / 27	100 - 240 VAC, 50 / 60 Hertz, 0.15 A / 230 VAC
AC Input B22	100 - 240 VAC, 50/60 Hertz, 0.15 A / 230 VAC
AC Connector	E27 / E26 / B22
Power Consumption (max.)	16.5 W
CRMX Receiver	Built-in
BluetoothBridge BTB	Built-in
Wireless Protocols	CRMX, UHF, Bluetooth, WiFi
Wireless Range	CRMX / UHF up to 100 m / 110 yds Bluetooth up to 3 m / 3.3 yds
RDM Support	Wireless
Infrared Control	Yes

IP Rating unwired	IP20: connected via DC socket IP44: connected via AC + FP5-SP in DC socket
Dimensions (L x W x D) (zoom in)	114.6 mm x 91.8 mm x 91.8 mm / 4.51" x 3.61" x 3.61" (E26) 117.6 mm x 91.8 mm x 91.8 mm / 4.63" x 3.61" x 3.61" (E27) 116.2 mm x 91.8 mm x 91.8 mm / 4.57" x 3.61" x 3.61" (B22)
Dimensions (L x W x D) (zoom out)	134.6 mm x 91.8 mm x 91.8 mm / 5.3" x 3.61" x 3.61" (E26) 137.6 mm x 91.8 mm x 91.8 mm / 5.42" x 3.61" x 3.61" (E27) 136.2 mm x 91.8 mm x 91.8 mm / 5.36" x 3.61" x 3.61" (B22)
Ambient Operating Temperature	0 - 40 °C / 32 - 104 °F
Weight	433 g / 0.955 lbs
Mounting Options	3/8" - 16 UNC thread, 1/4" - 20 UNC thread, E26/E27 socket

All specifications provided are typical values and maybe subject to change without prior notice.

## RF CHARACTERISTICS

Wireless Modules	EU: UHF*** (863-870MHz)	USA: UHF (917-922.20MHz)	AUS: UHF (922.30-927.50MHz)	SGP: UHF (920.50-924.50MHz)	KOR: UHF (917.9-921.5MHz)
Modulation	FHSS	FHSS	FHSS	FHSS	FHSS
ERP (Transmitter)	<25mW	<25mW	<25mW	<25mW	<25mW
Channel Count	47	53	53	41	10

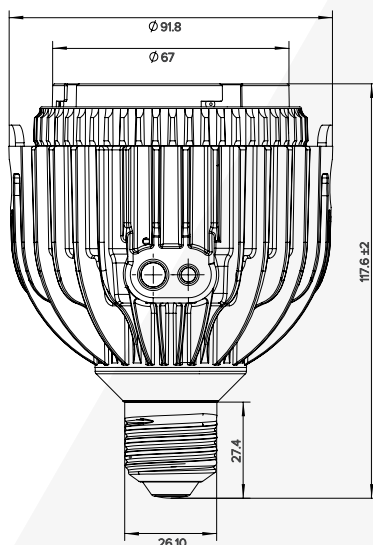
  

Wireless Modules	RUS: UHF (868.75-869.12MHz)	JPN: UHF (922.80-926.40MHz)	CRMX (2402-2480MHz)	Bluetooth 5.0 LE (2402-2480MHz)	WiFi (2412-2472MHz)
Modulation	FHSS	FHSS	FHSS	FHSS	DSSS, OFDM
ERP (Transmitter)	<25mW	<25mW	-	10mW (BLE)	<100mW
Channel Count	6	19	79	40	13

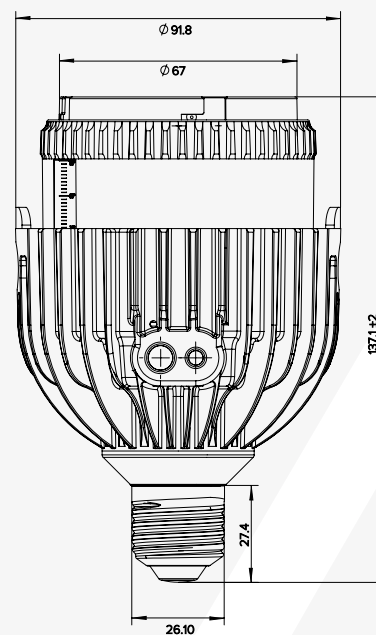
\*\*\*General allocation of frequencies for use by short-range radio applications

## DRAWING

**Flood**

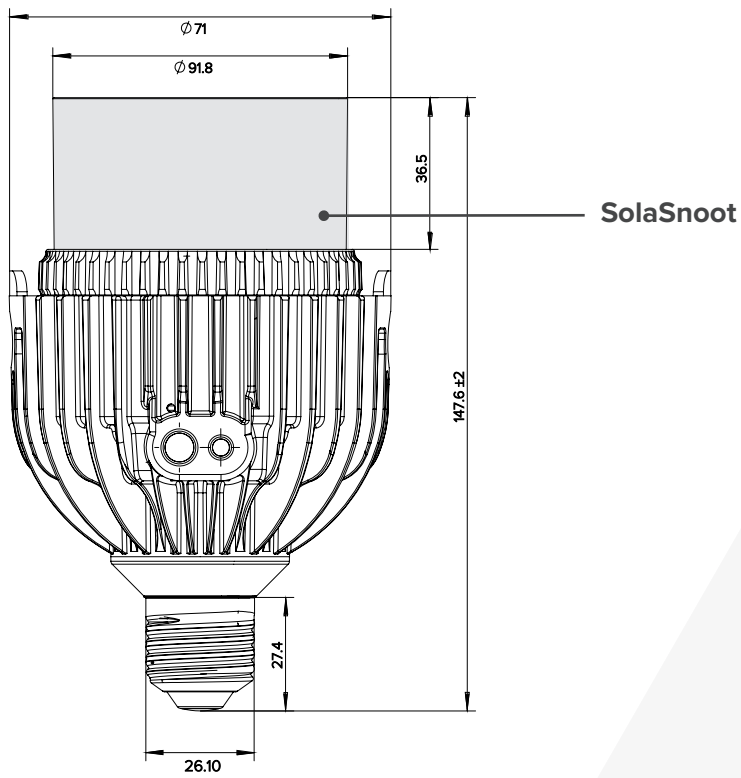


**Spot**



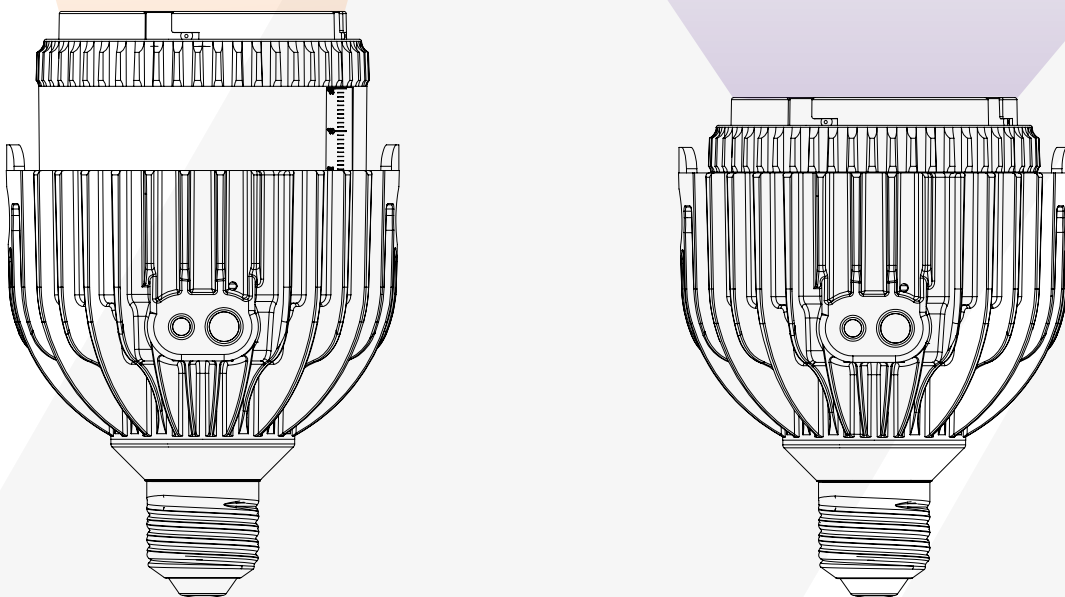
\*B22 version has a different thread.

# DRAWING WITH SOLA SNOOT



## ZOOM RANGE

The zoom range is 15° - 50°



# ACCESSORIES

**SolaSnoot**  
AST-BLBSL-SN



**PowerStation**  
FP5-PS



### Features

- Display and keypad to program bulbs
- Battery pack for bulbs
- Mounting accessory for bulbs

**D-Tab SplitCable**  
FP5-DTSC



**SolaBulb Kit**  
AST-BLBSL-KIT

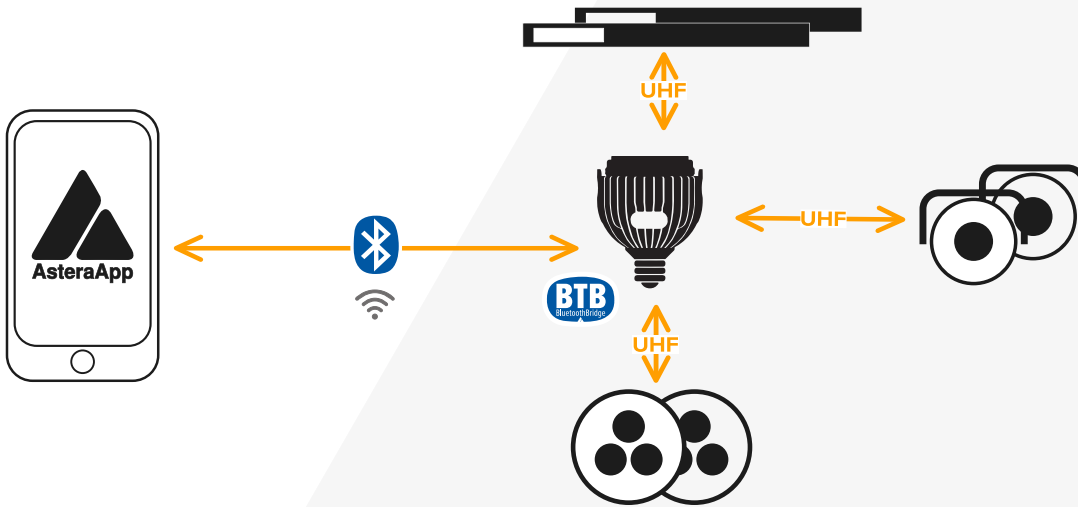


### Contains

- 8x SolaBulb**  
(AST-BLBSL)  
(E26 / E27 and B22 versions are available.)
- 8x Snoot**  
(AST-BLBSL-SN)
- 1x PowerStation**  
(FP5-PS)
- 1x D-Tap SplitCable**  
(FP5-DTSC)

# SOLABULB AS BLUETOOTH BRIDGE

Setup and configuration are done using the SolaBulb. The lights can be wirelessly controlled via CRMX, Astera's app, BTB link, or White and FX Remotes.



# TYPICAL SPECTRAS

