



Swappable, ultra-compact power supply that fits into the power compartment of the QuikBeam, adding powerCON TRUE1-compatible IN and THRU connectivity.

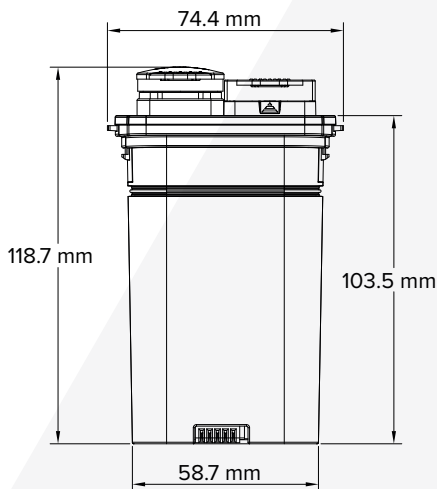
SPECIFICATIONS

Order Code	AST-QUKBM-PWF
AC Input	100 - 240 VAC, 50/60 Hertz, 115 VAC - 0.5 A / 230 VAC - 0.3 A, 30.5 W
AC Connectors	powerCON TRUE1-compatible IN/THRU
Daisy-chain (max.)	10 fixtures
DC Output	12 VDC - 2 A, 24 W
DC Connector	1 x 6pin connector
IP Rating	IP20 (IP65 when inserted into QuikBeam)
Ambient Operating Temperature	0 - 40 °C / 32 - 104 °F
Weight	325 g / 0.717 lbs
Dimensions (L x W x D)	118.7 mm x 74.4 mm x 48.9 mm / 4.67" x 2.93" x 1.93"

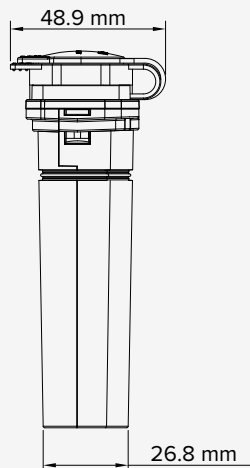
All specifications provided are typical values and may be subject to change without prior notice.

DRAWINGS

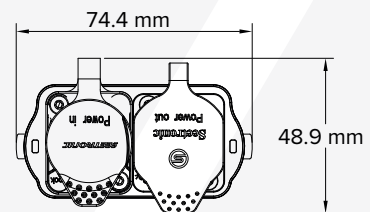
Front side



Right side



Top side



Bottom side

