

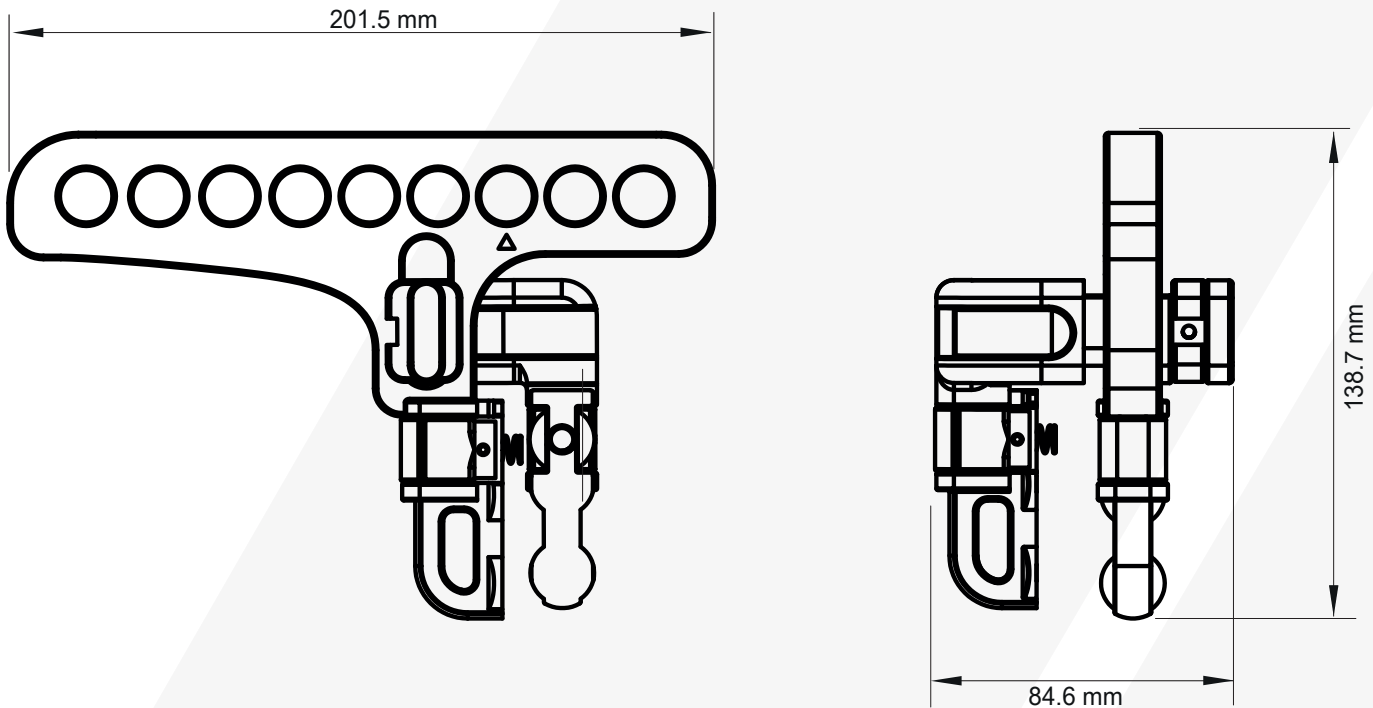


FlyBar is a sturdy rigging accessory for hanging up to 8 AX2-50 or 4 AX2-100 PixelBars from a single point. It offers the possibility to angle the suspended AX2s more upwards or downwards by choosing one of the 9 mounting holes of the FlyBar.

SPECIFICATIONS

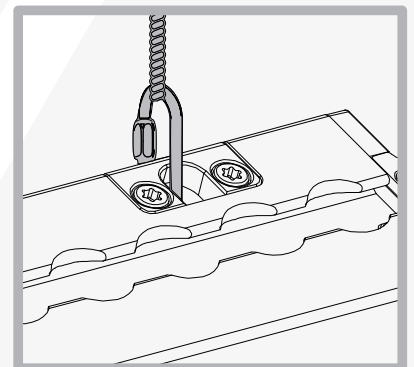
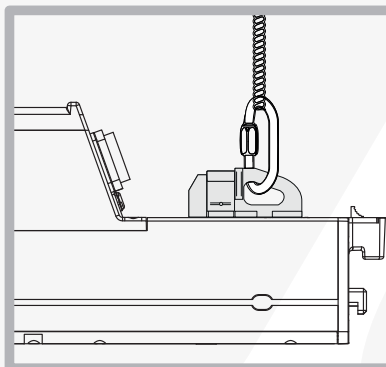
Order Code	AX2-FB
Dimensions (mm/inch)	201.5x138.7x84.6 / 7.9x5.5x3.3
Weight (kg/lbs)	1.39 / 3.1
Material	Steel

DRAWINGS

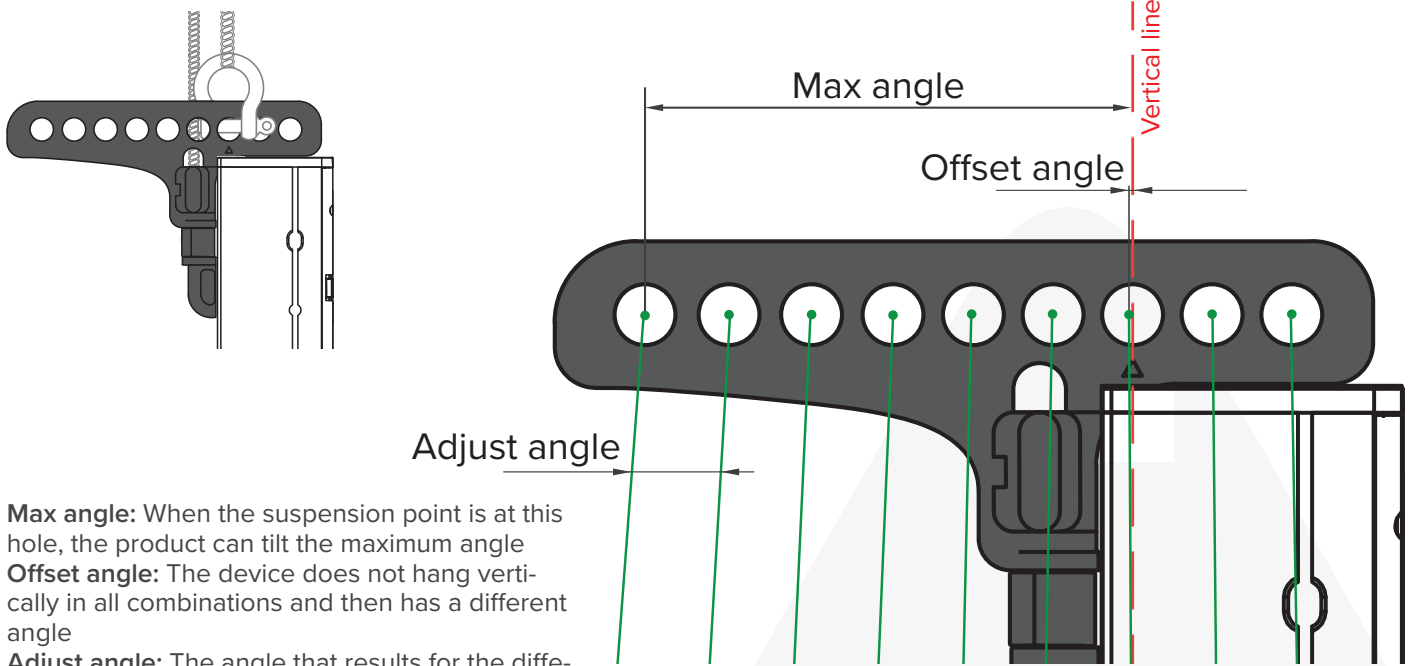


SAFETY

When hanging always use safety rigging point or TrackHanger. Please check the safety regulations in your region.



HANGING AX2 WITH FLYBAR



Max angle: When the suspension point is at this hole, the product can tilt the maximum angle

Offset angle: The device does not hang vertically in all combinations and then has a different angle

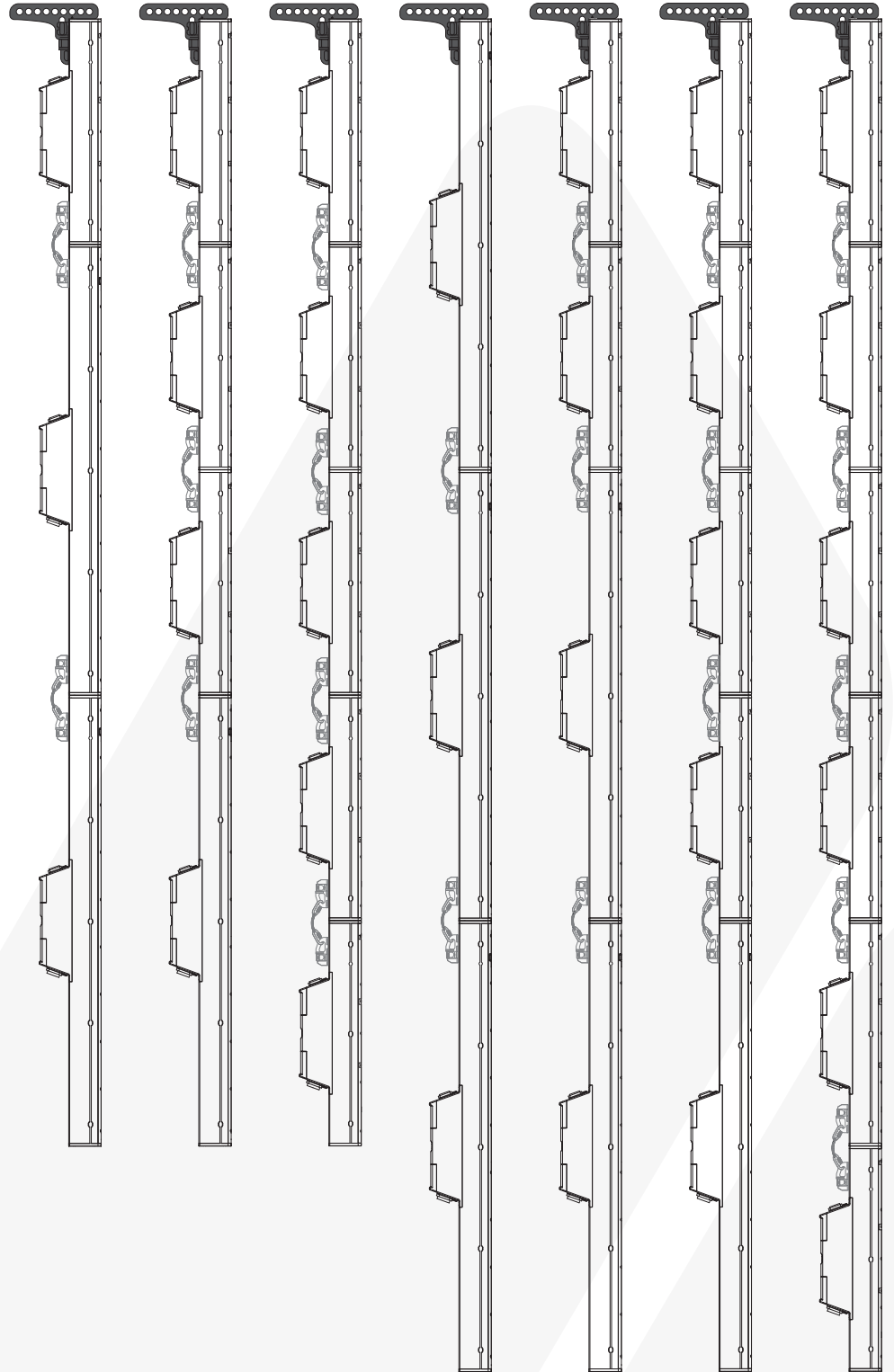
Adjust angle: The angle that results for the different holes and combinations of AX2

ANGLES WHEN HANGING AX2

#AX2s	1x50	1x100	2x50	1x50 + 1x100	3x50	2x100	2x50 + 1x100	4x50
Adjust angle	5°	2.49°	2.4°	1.7°	1.6°	1.22°	1.1°	1.2°
Max angle	26.15°	14.97°	13.42°	10.14°	8.87°	7.38°	6.49°	6.63°
Offset angle	2.61°	0	1.03°	0.25°	0.67°	0.12°	0.19°	0.49



#AX2s	1x50 + 2x100	3x50 + 1x100	5x50	3x100	2x50 + 2x100	4x50 + 1x100	6x50
Adjust angle	1°	1°	0.95°	0.8°	0.75°	0.75°	0.8°
Max angle	6.04°	5.9°	5.31°	4.87°	4.39°	4.27°	4.42°
Offset angle	0°	0.2°	0.34°	0.11°	0.04°	0.16°	0.28°



#AX2s	1x50 + 3x100	3x50 + 2x100	5x50 + 1x100	7x50	4x100	2x50 + 3x100	4x50 + 2x100	6x50 + 1x100	8x50
Adjust angle	0.65°	0.63°	0.62°	0.67°	0.6°	0.62°	0.63°	0.62°	0.6°
Max angle	3.93°	3.7°	3.66°	3.85°	3.63°	3.76°	3.72°	3.55°	3.3°
Offset angle	0.04°	0.04°	0.03°	0.05°	0.09°	0.08°	0.09°	0.08°	0.09°

