

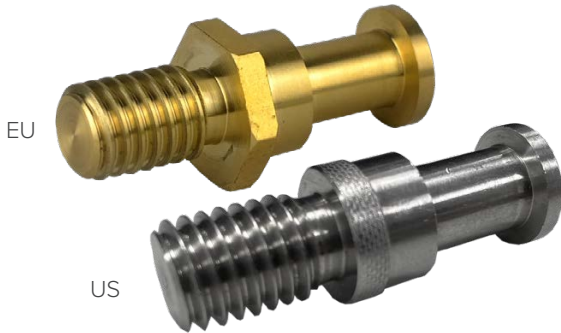


# DATASHEET

# SuperBolt for AX10/AX7

Compatible with:  
AX10/AX7

Date: 01/28/21 Version: 1.0

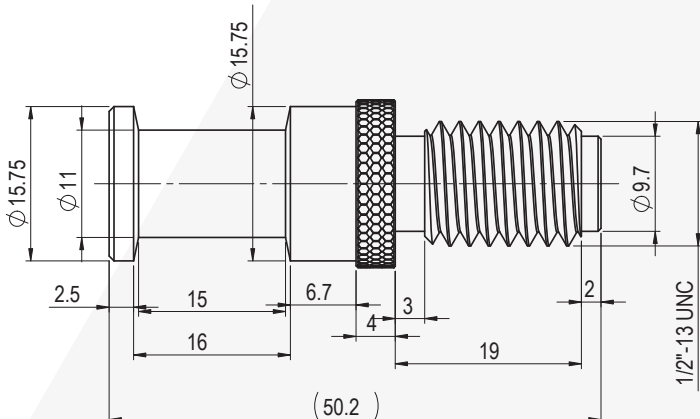
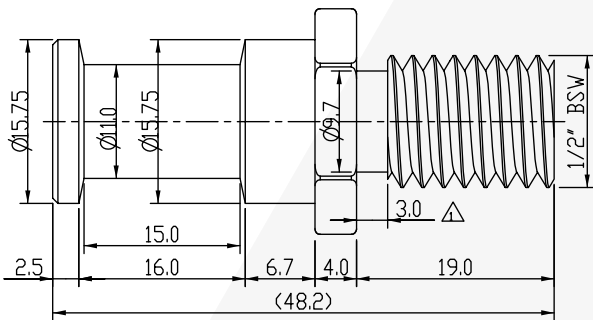


Ads a Babypin stud to AX7 and AX10 brackets.

## SPECIFICATIONS

Order Cod	AX10-BLT	AX10-BLT-US
Dimensions	48.2x19 mm / 1.9x0.75 in	50.2x15.75 mm / 2x0.62 in
Thread	1/2" BSW	1/2"-13 UNC
Weight	0.056 kg / 0.12 lbs	0.064 kg / 0.14 lbs
Material	Copper Brass	Stainless Steel

## DRAWINGS



## USE CASES

Mount AX10 to truss with SuperBolt and Super Clamp

